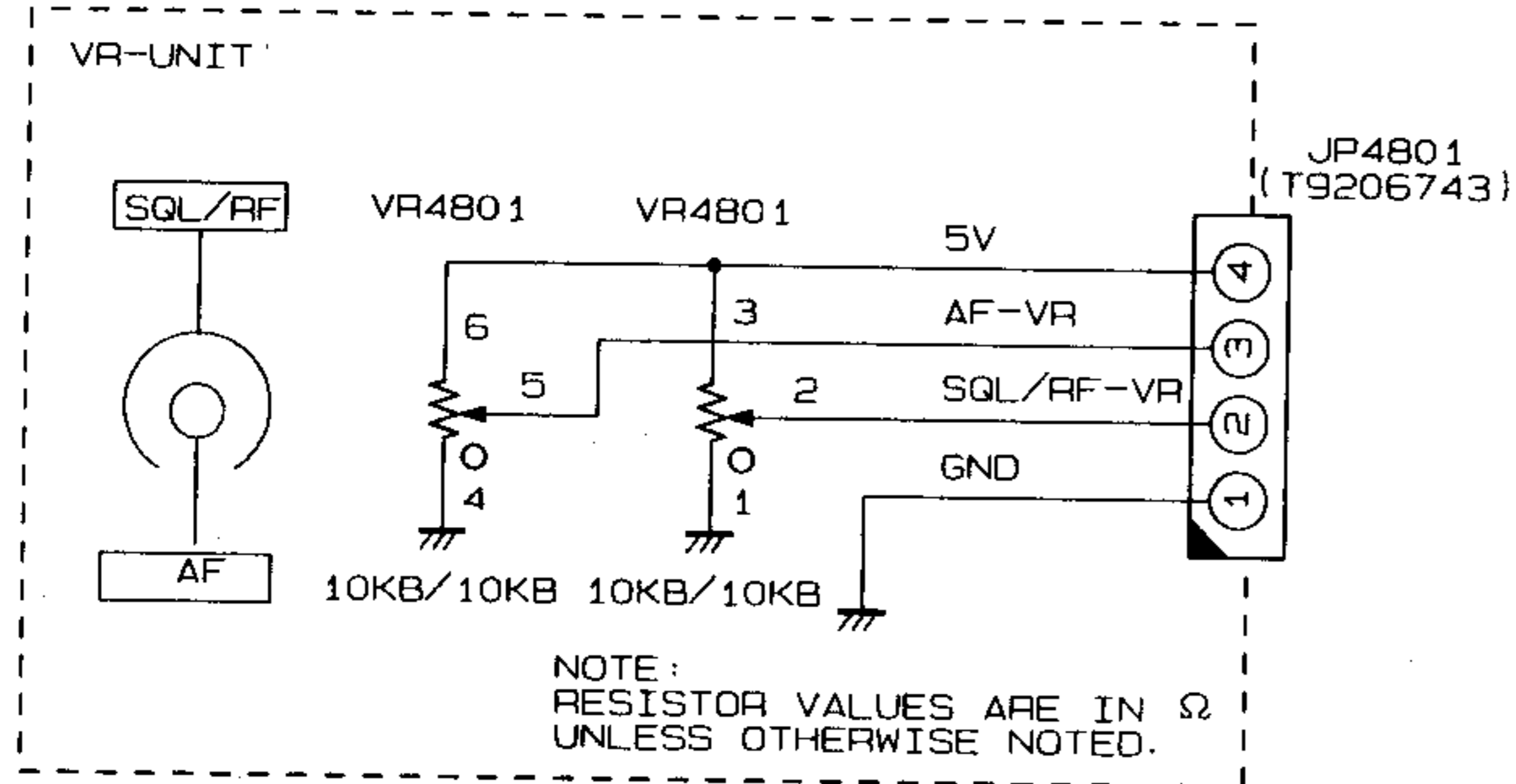
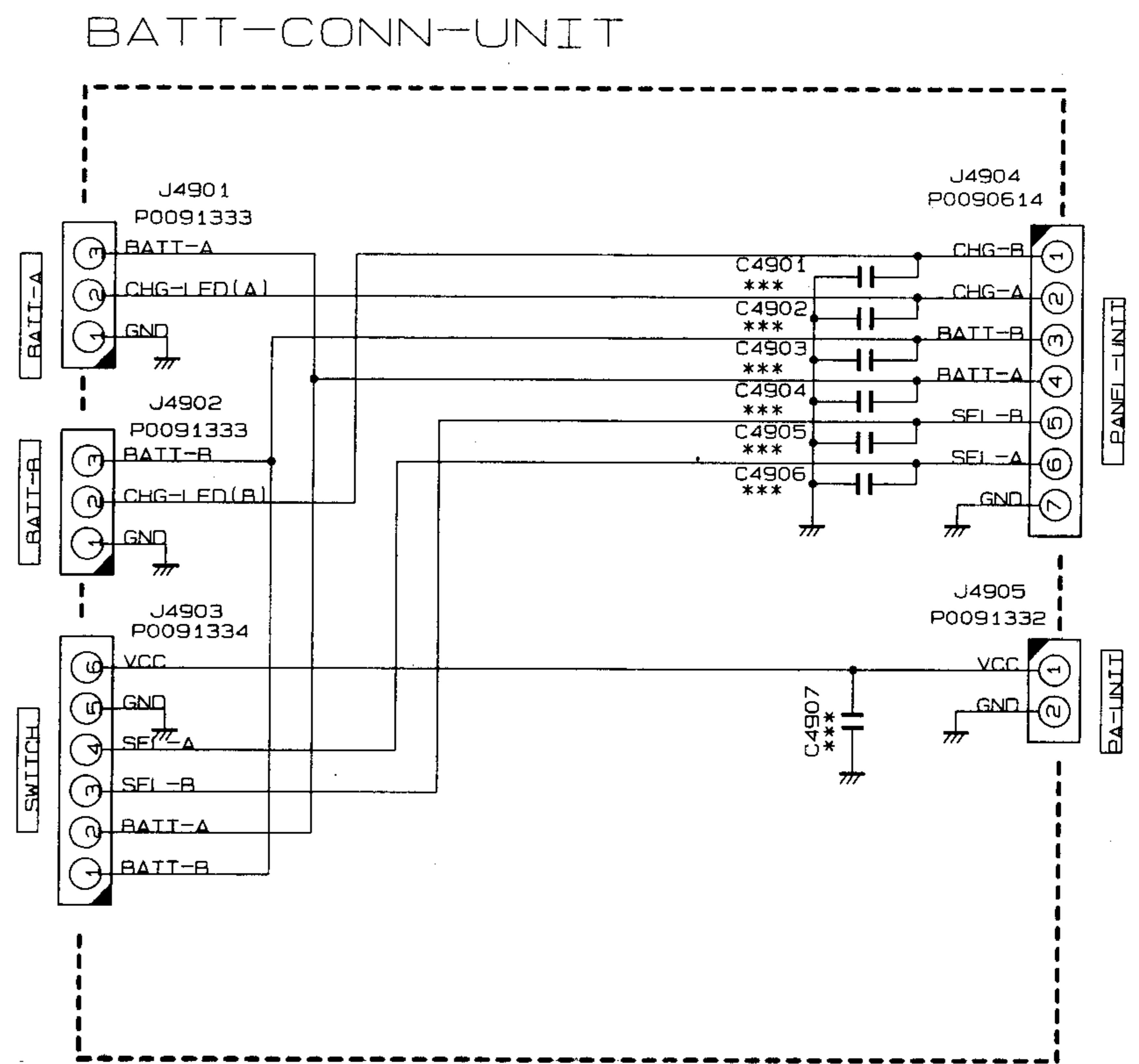
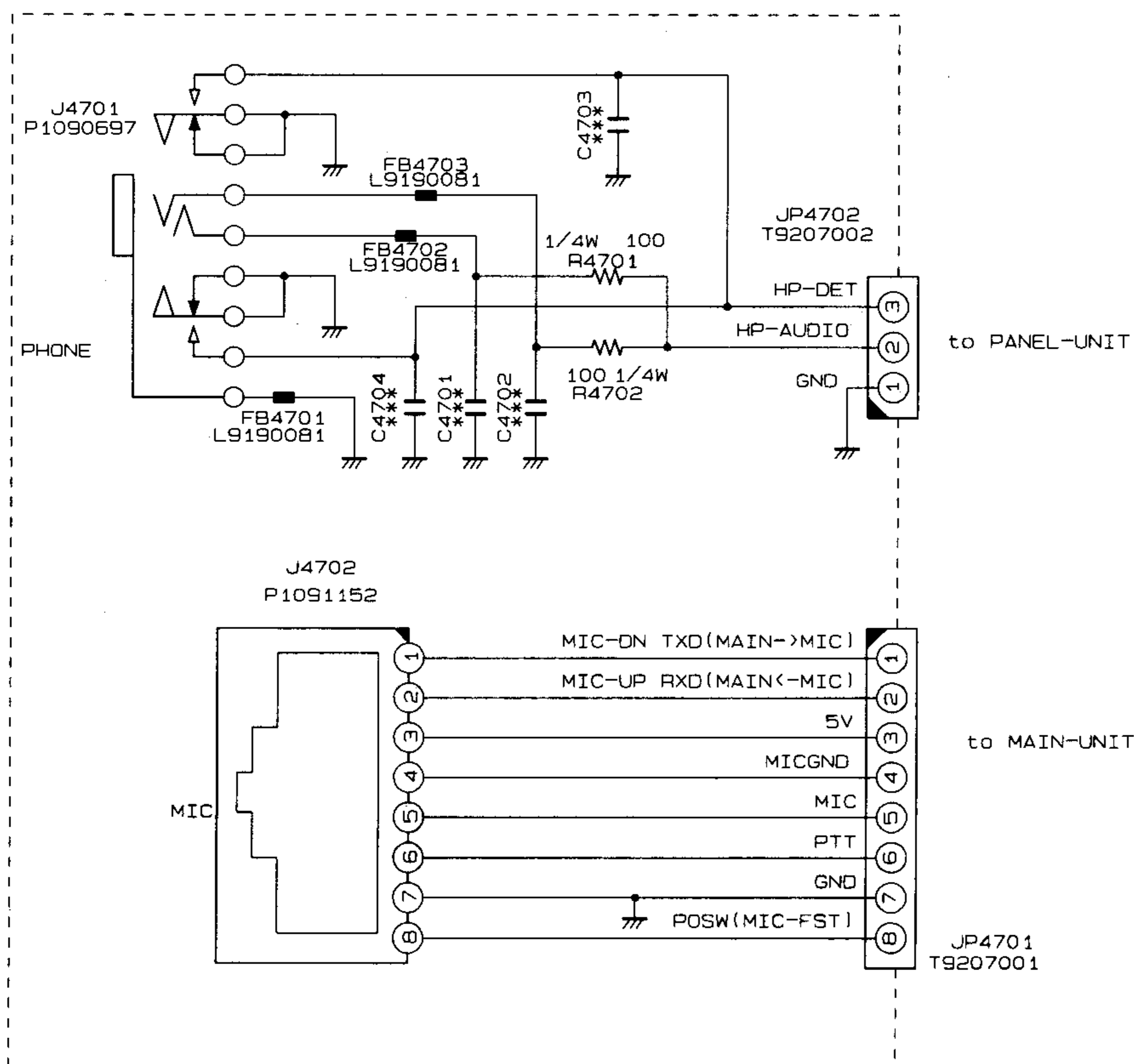
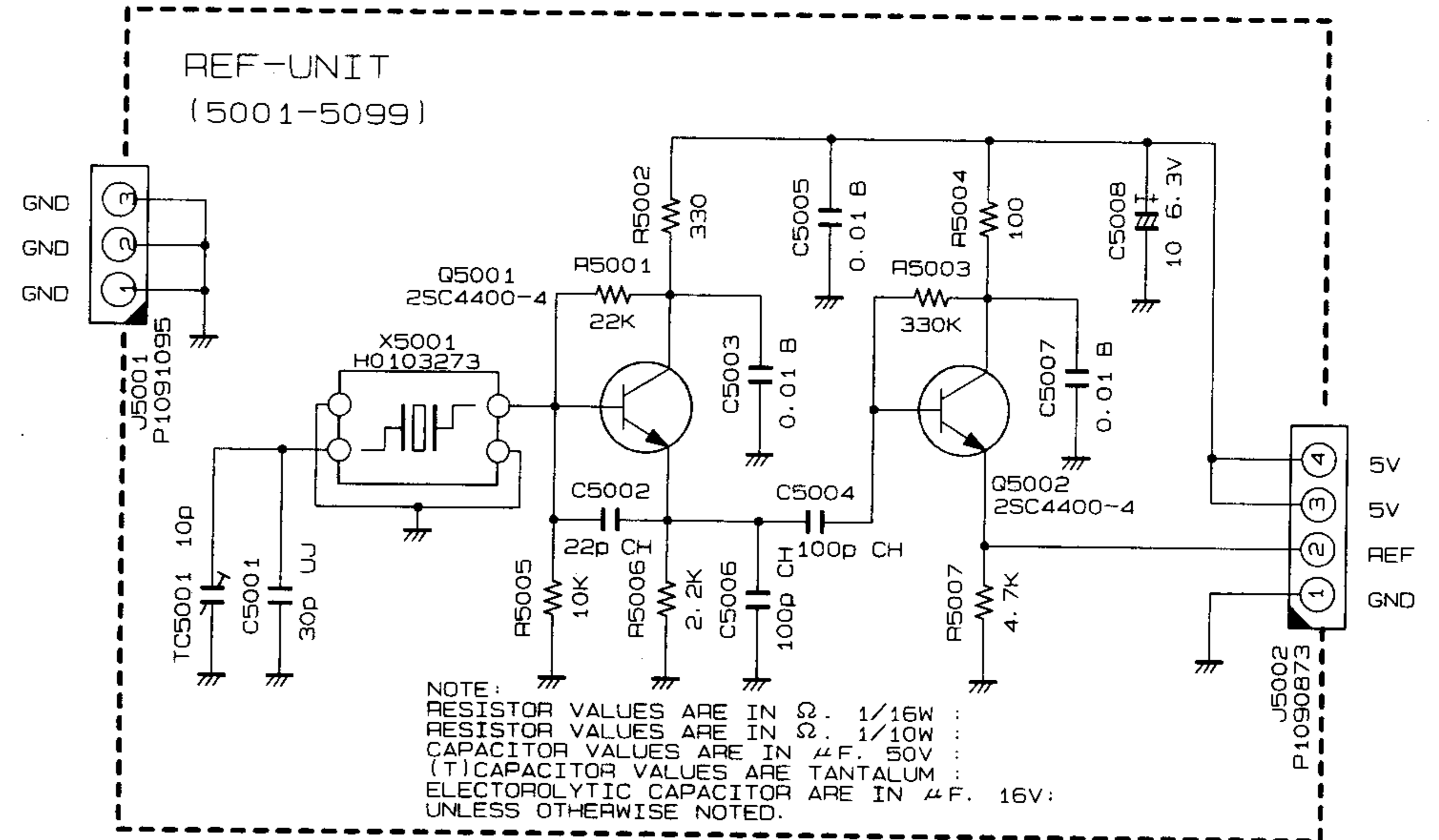
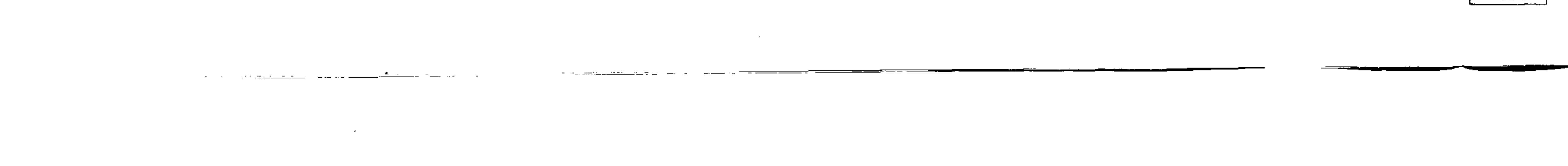
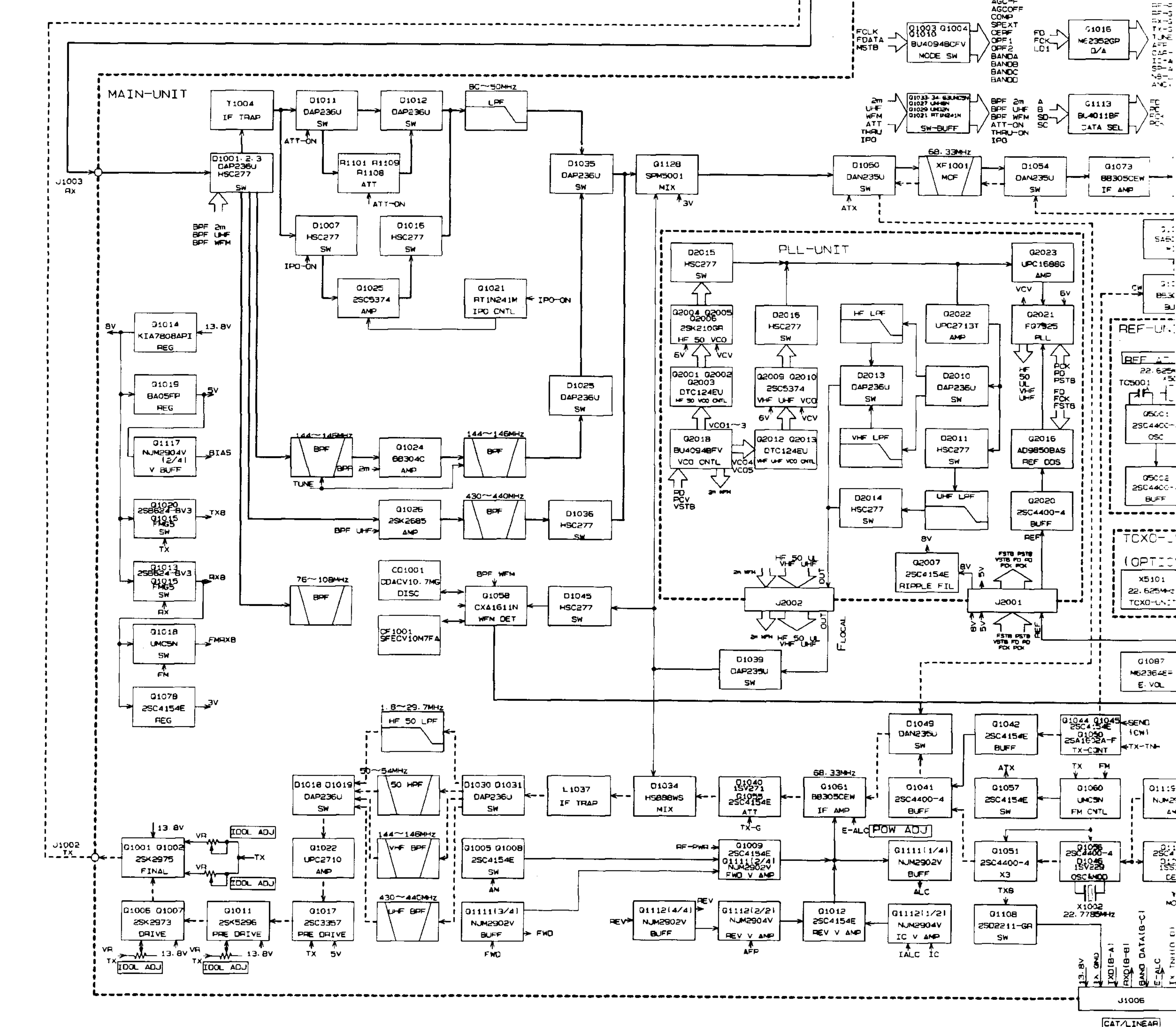
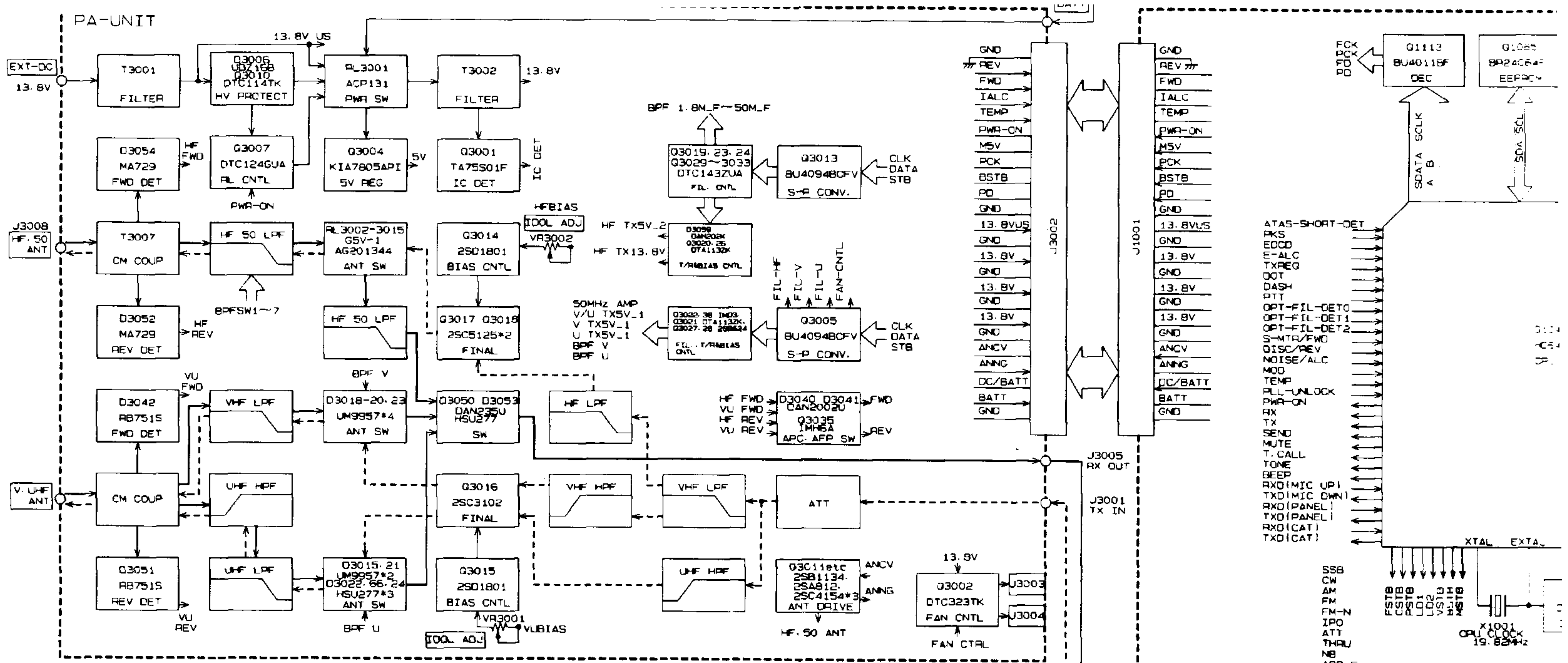


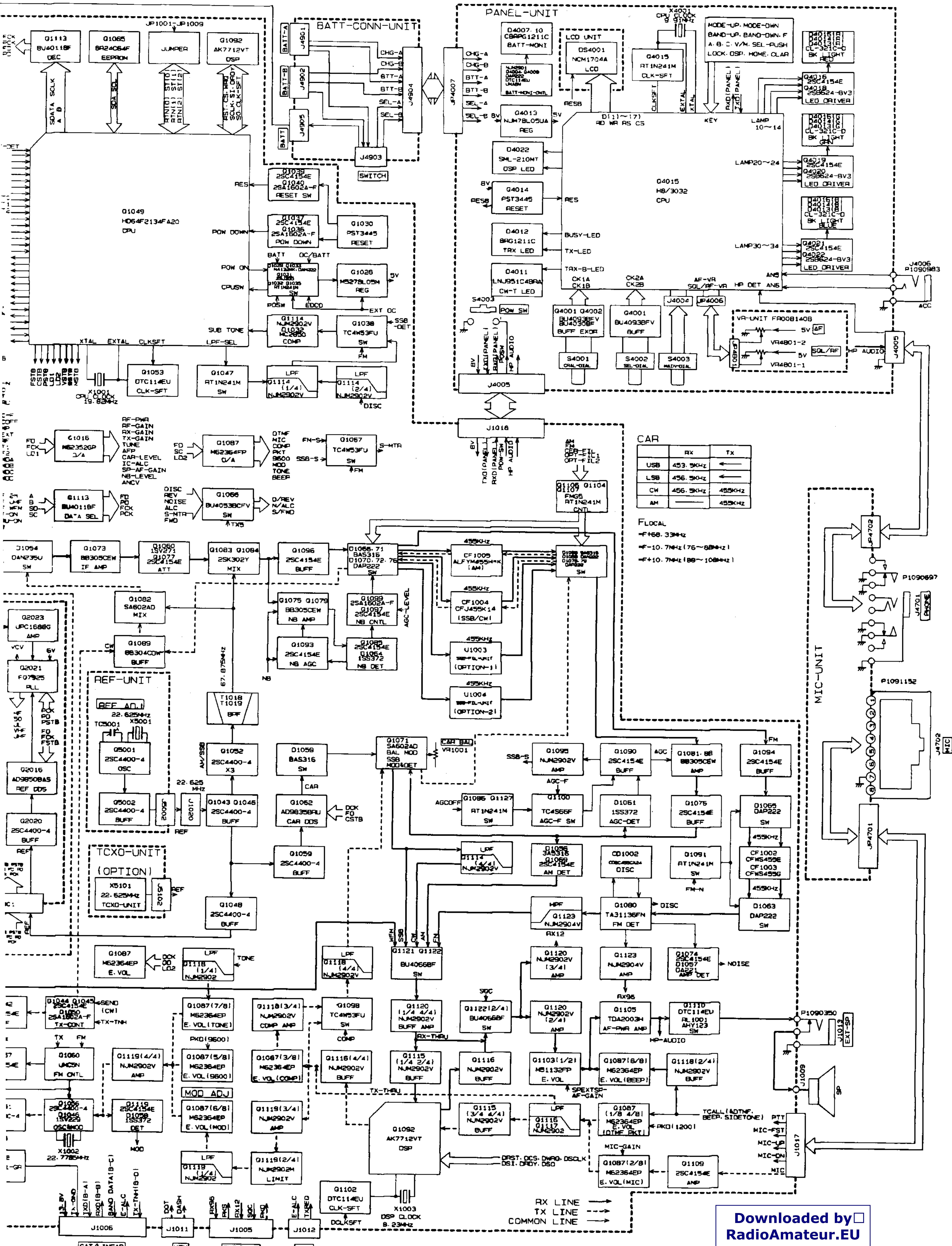
FT-897 CIRCUIT DIAGRAM



Downloaded by RadioAmateur.EU



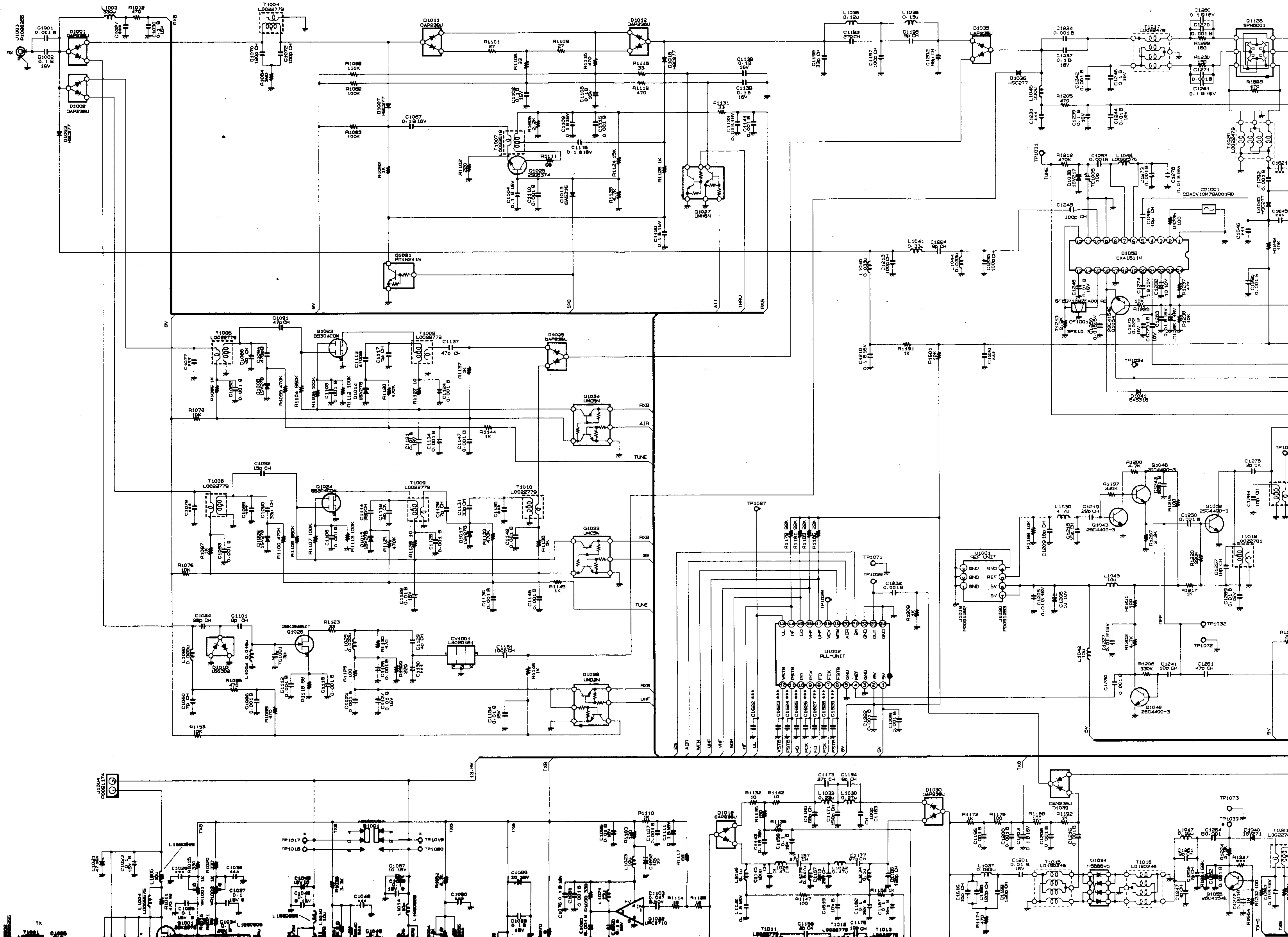


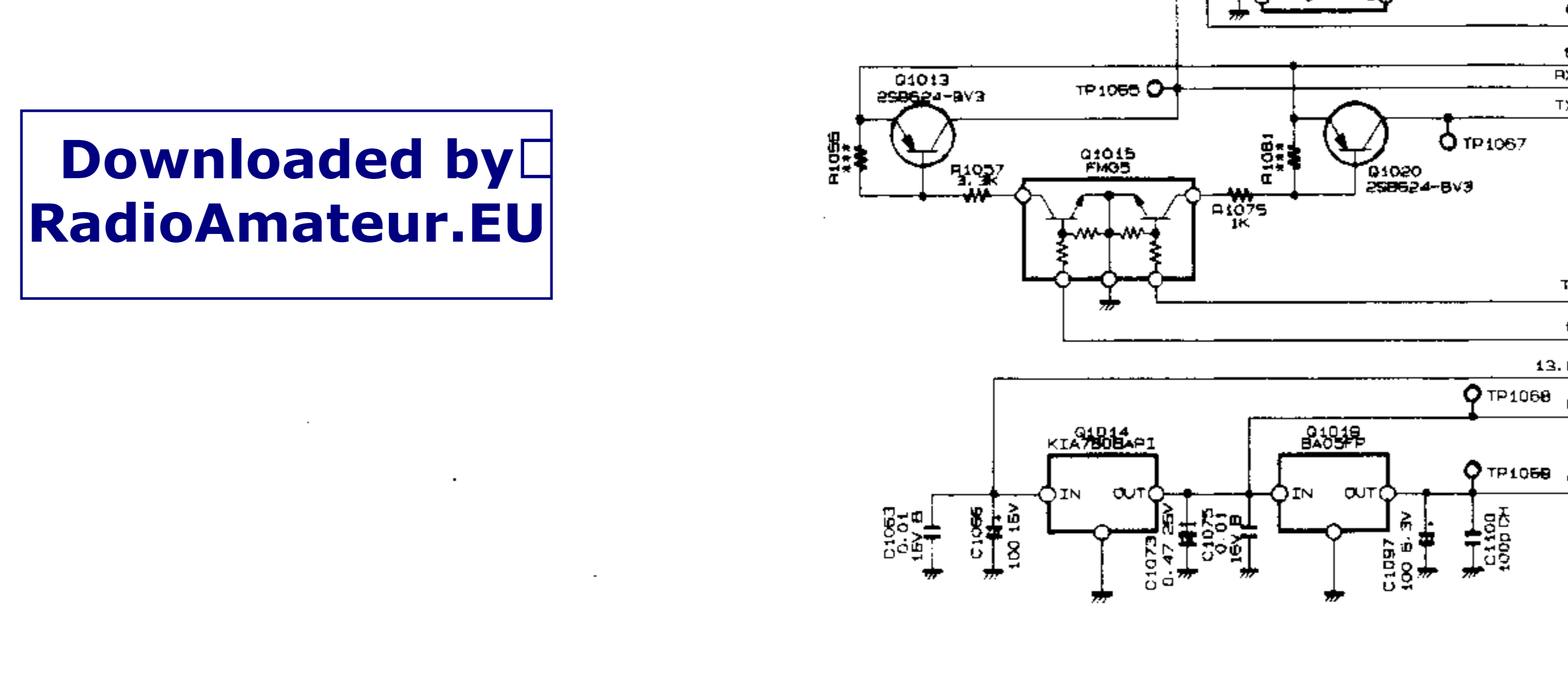
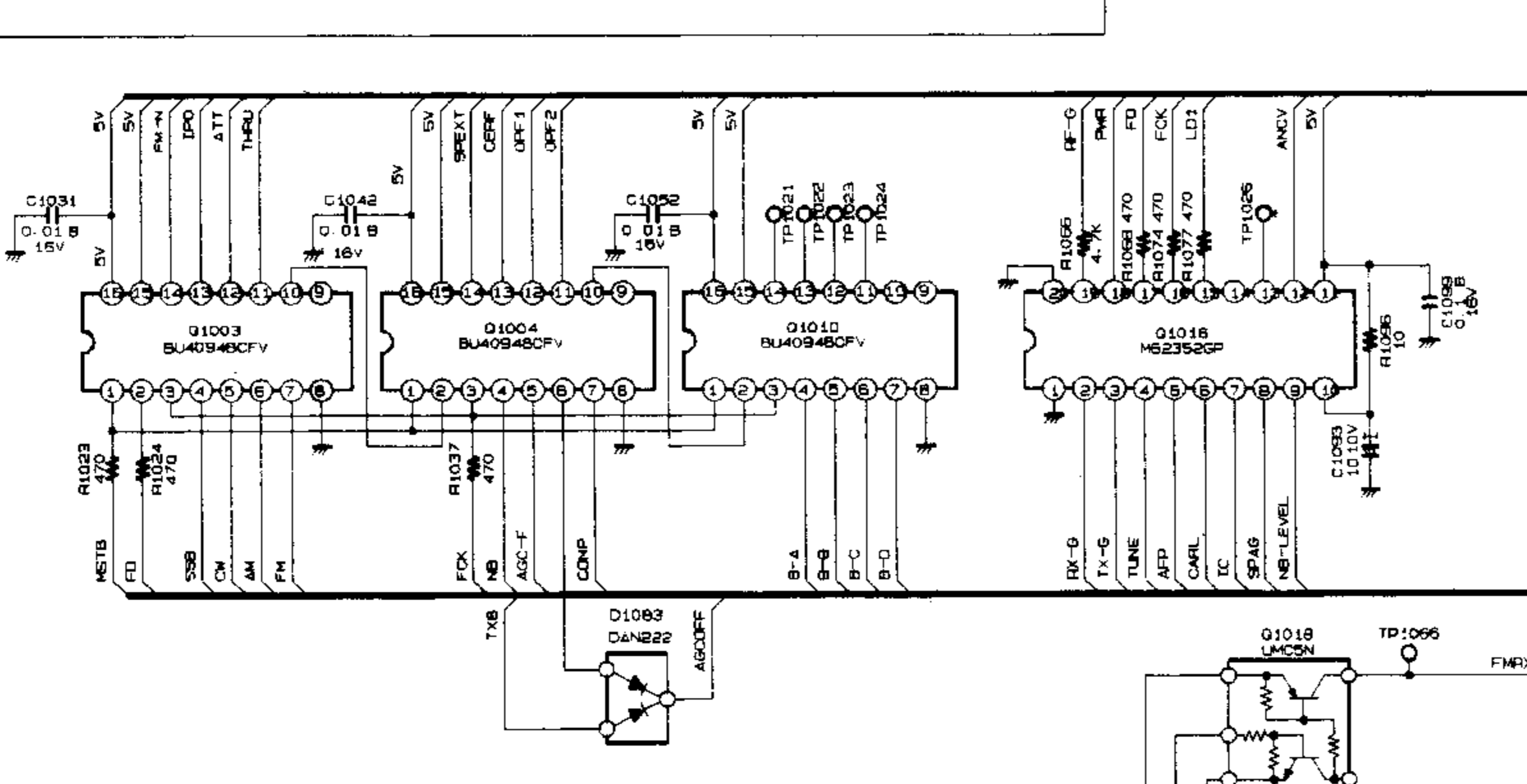
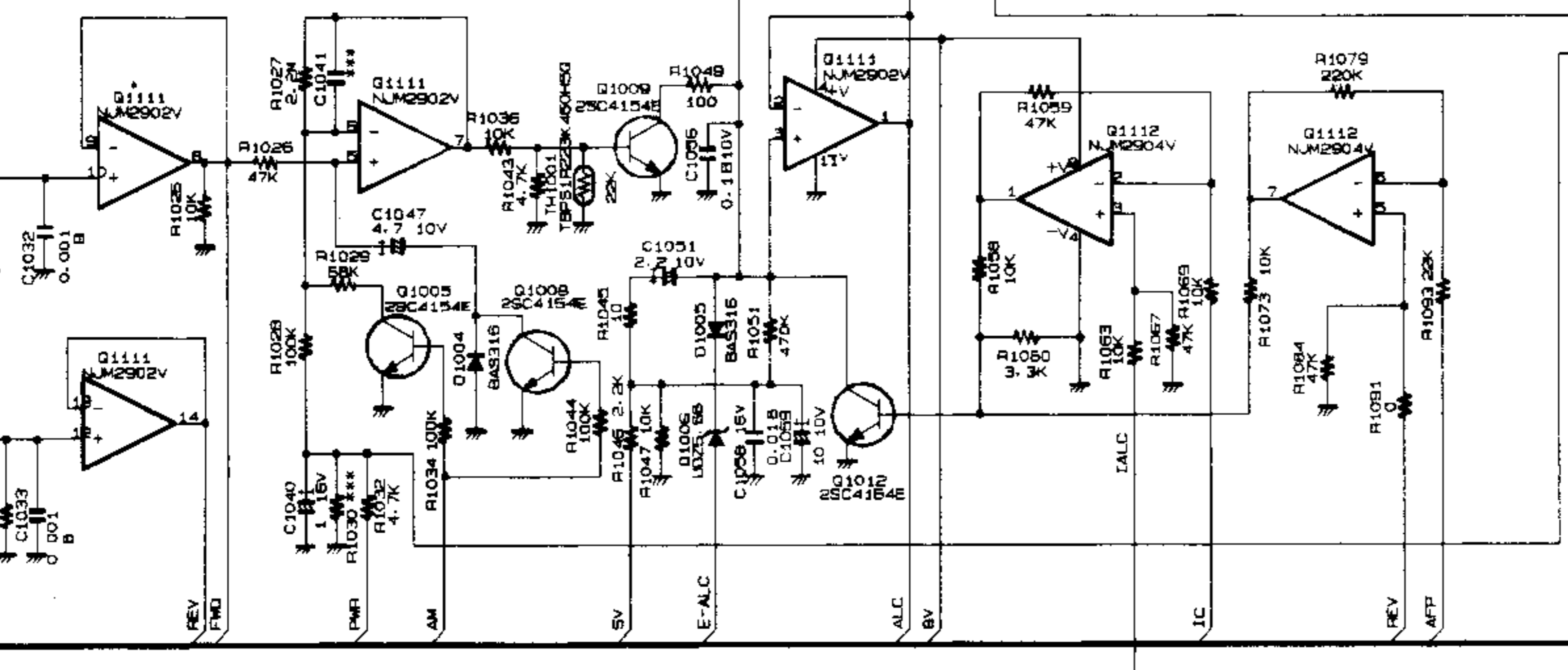
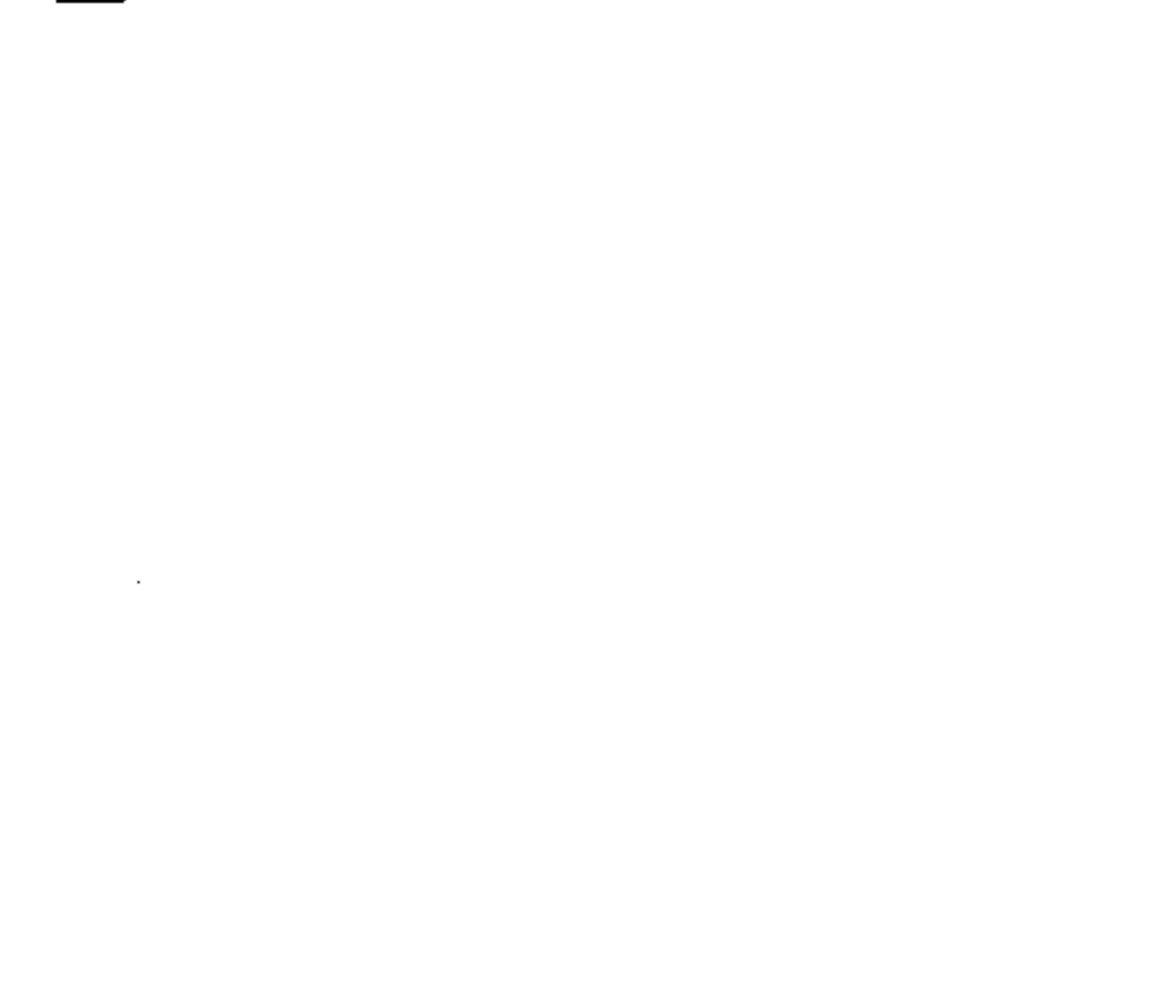
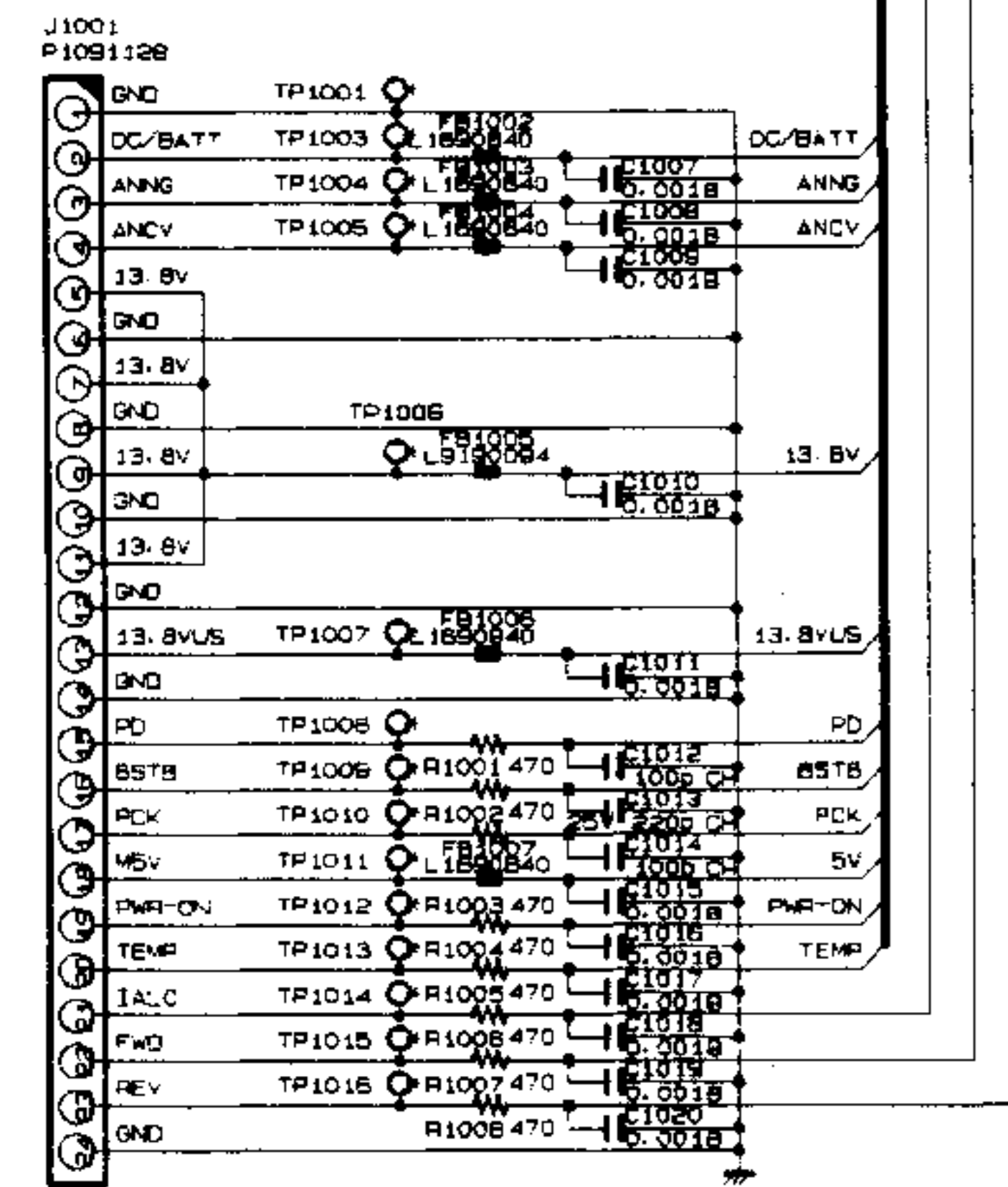


	RX	TX
USB	453.5kHz	←
LSB	456.5kHz	←
CW	456.5kHz	455kHz
AM		455kHz

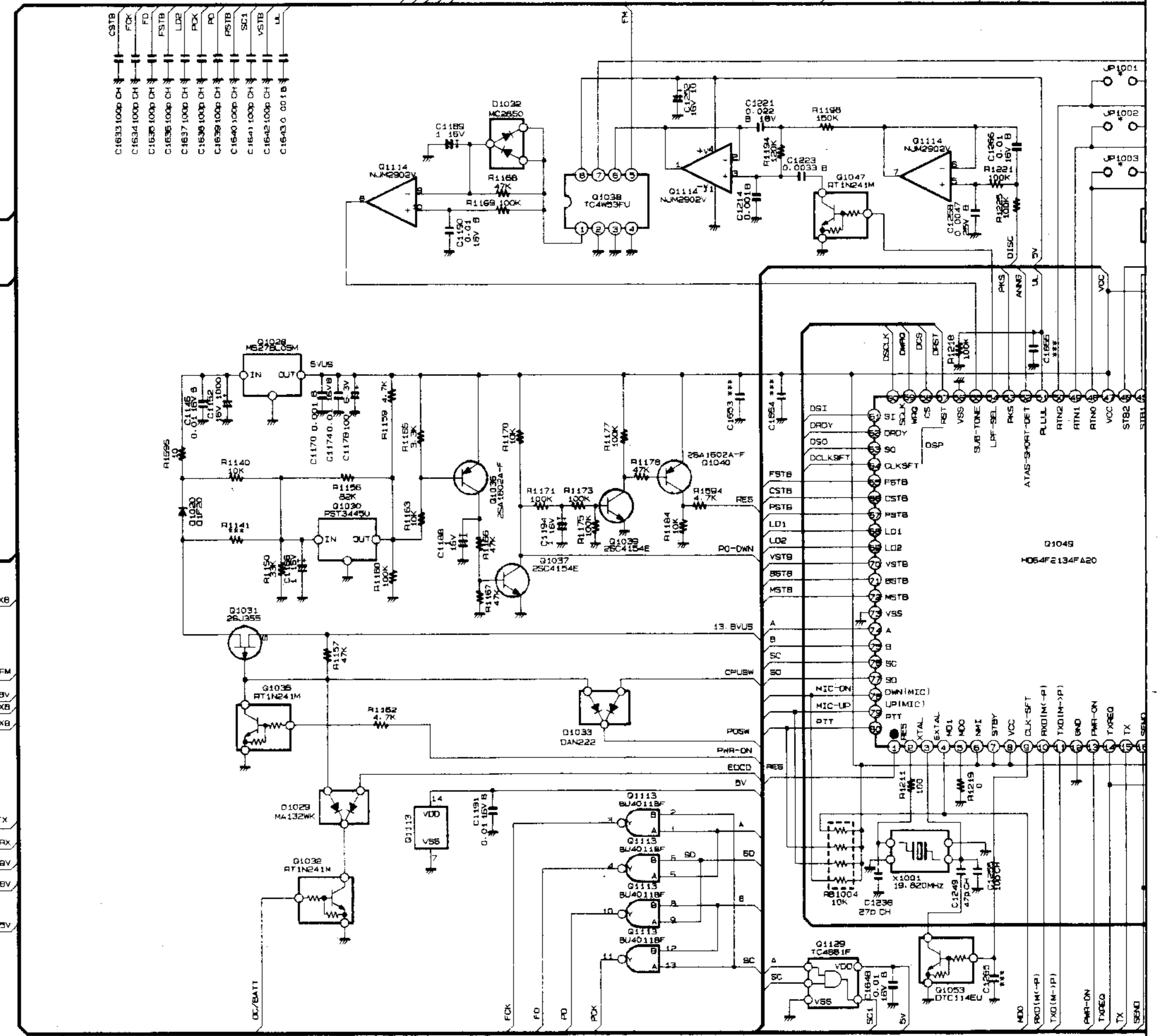
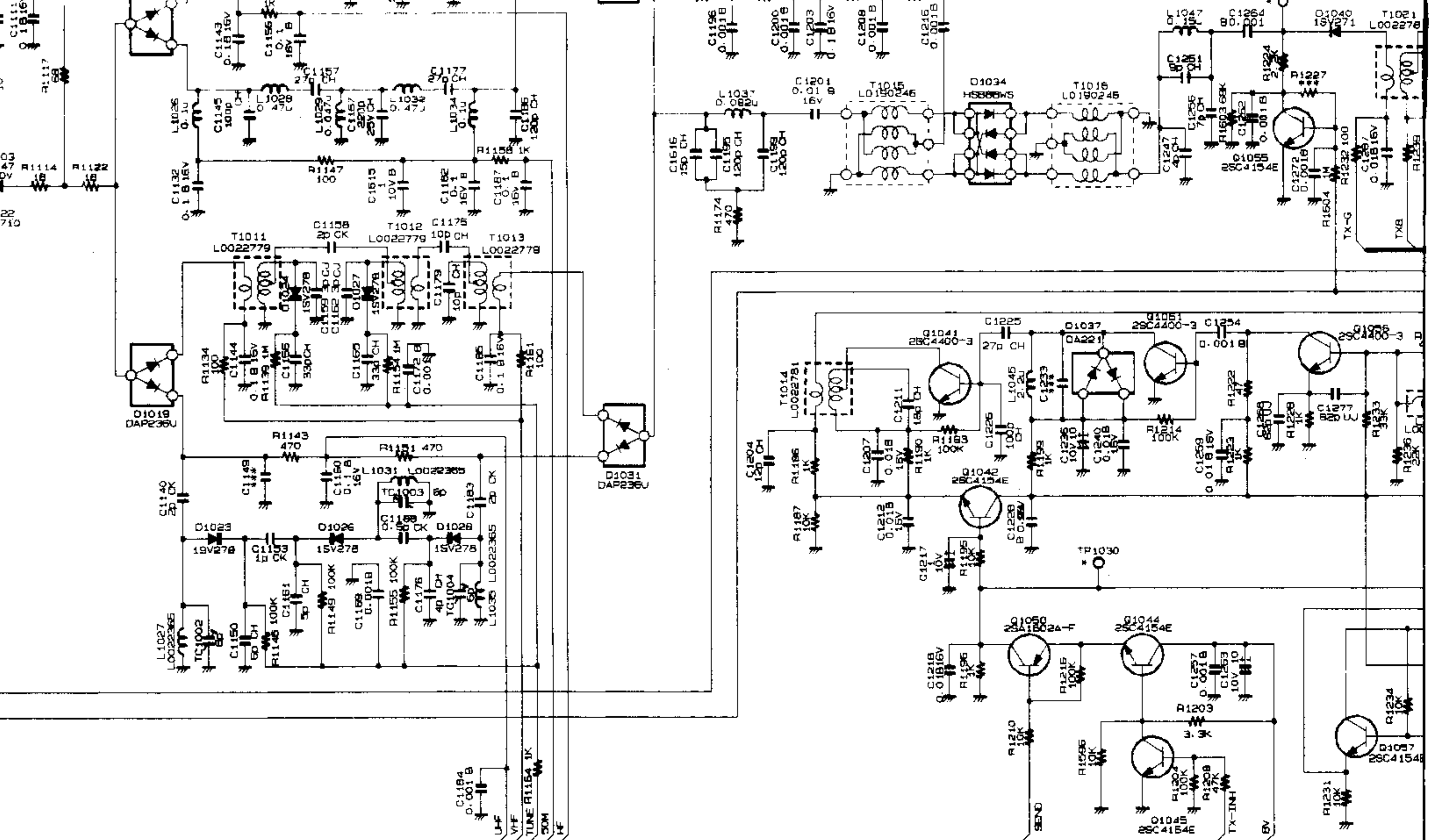
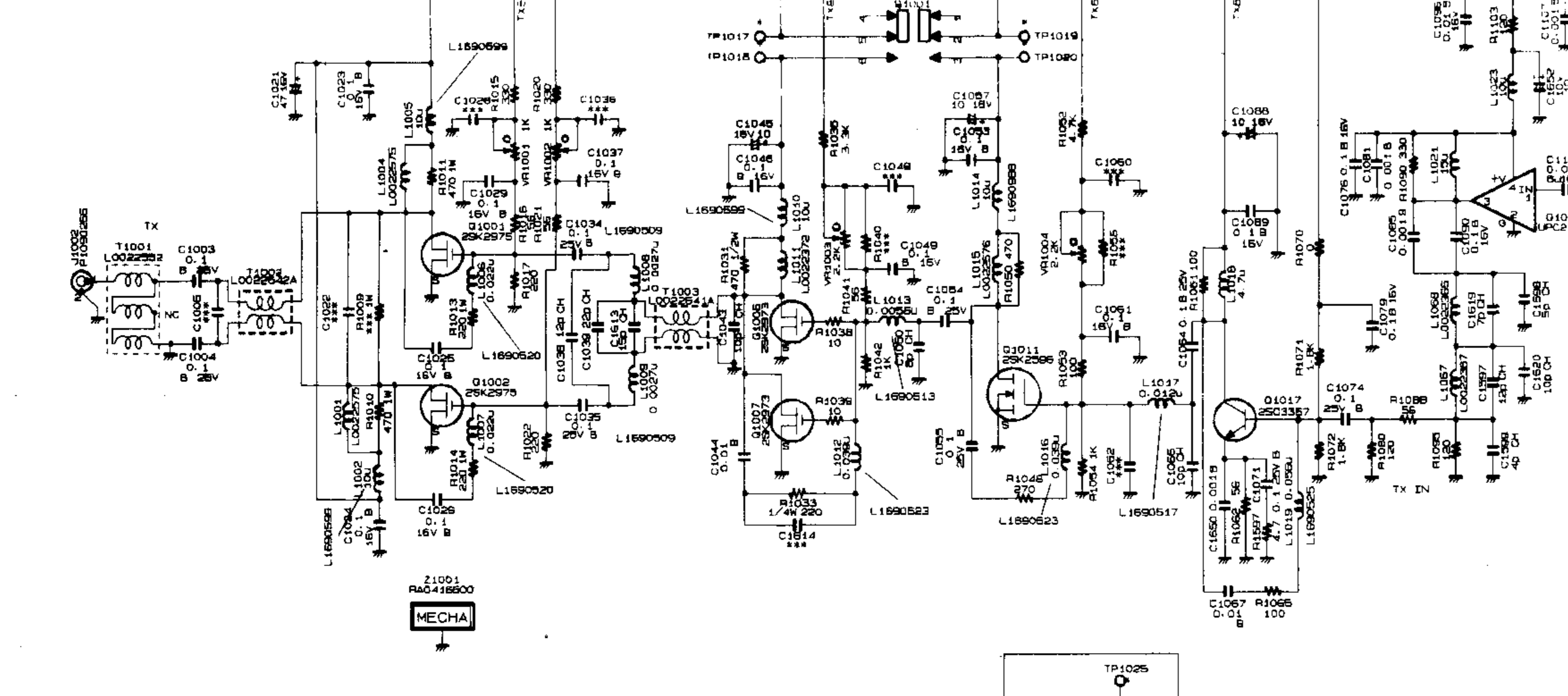
FLOCAL
 =+168.33kHz
 =-10.7MHz (75~89MHz)
 =+10.7MHz (189~109MHz)

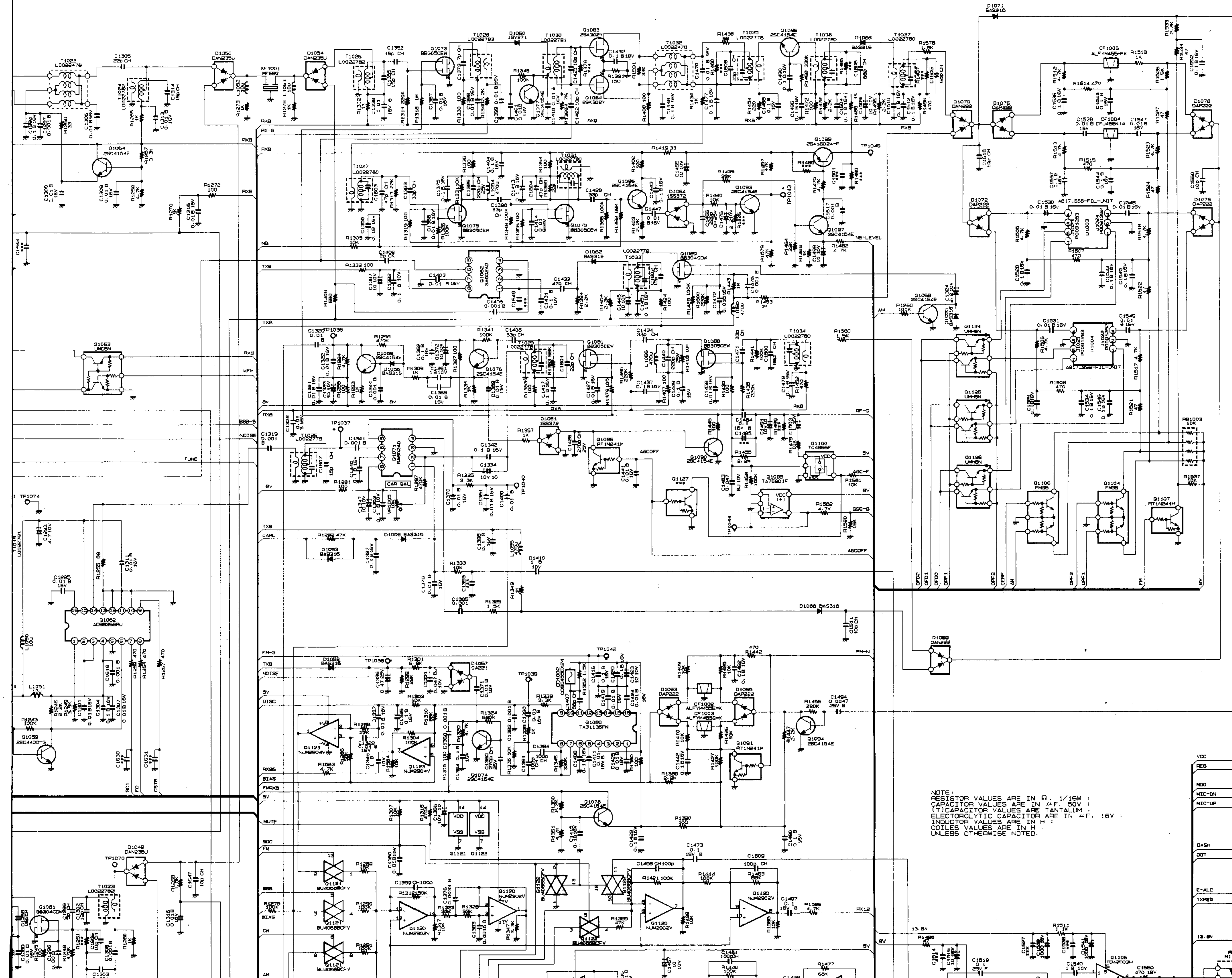
MAIN-UNIT
1001-1999



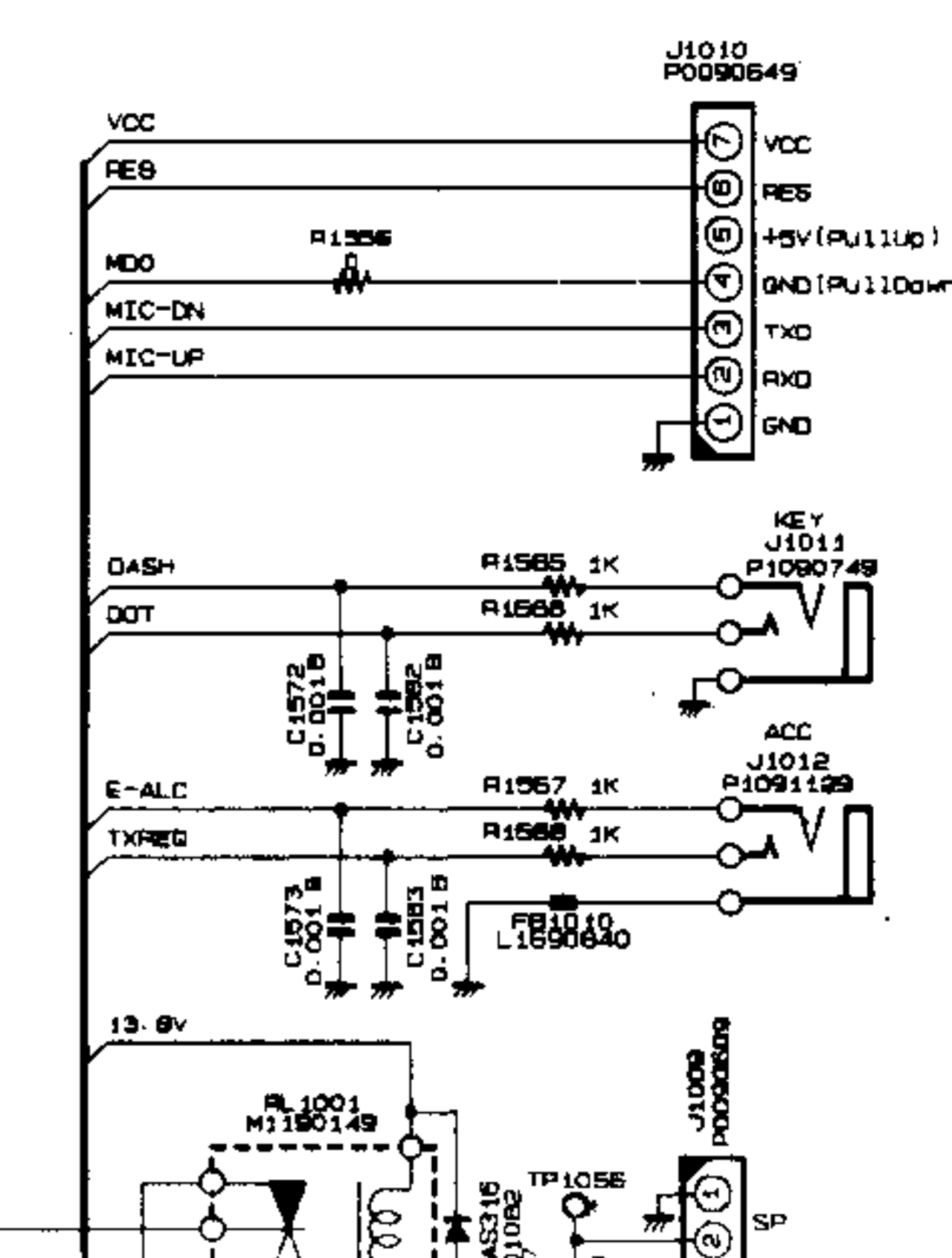


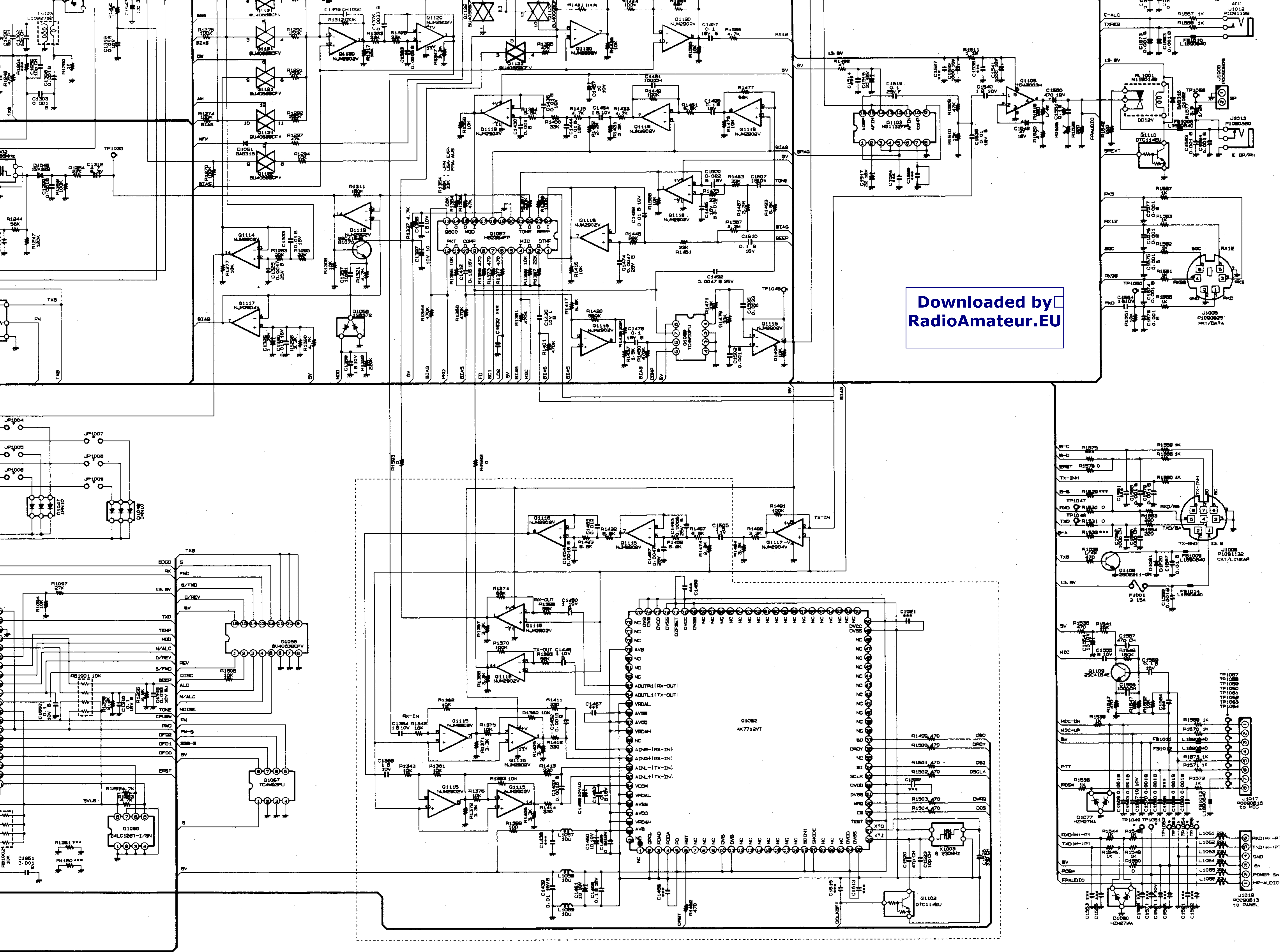
Downloaded by RadioAmateur.EU

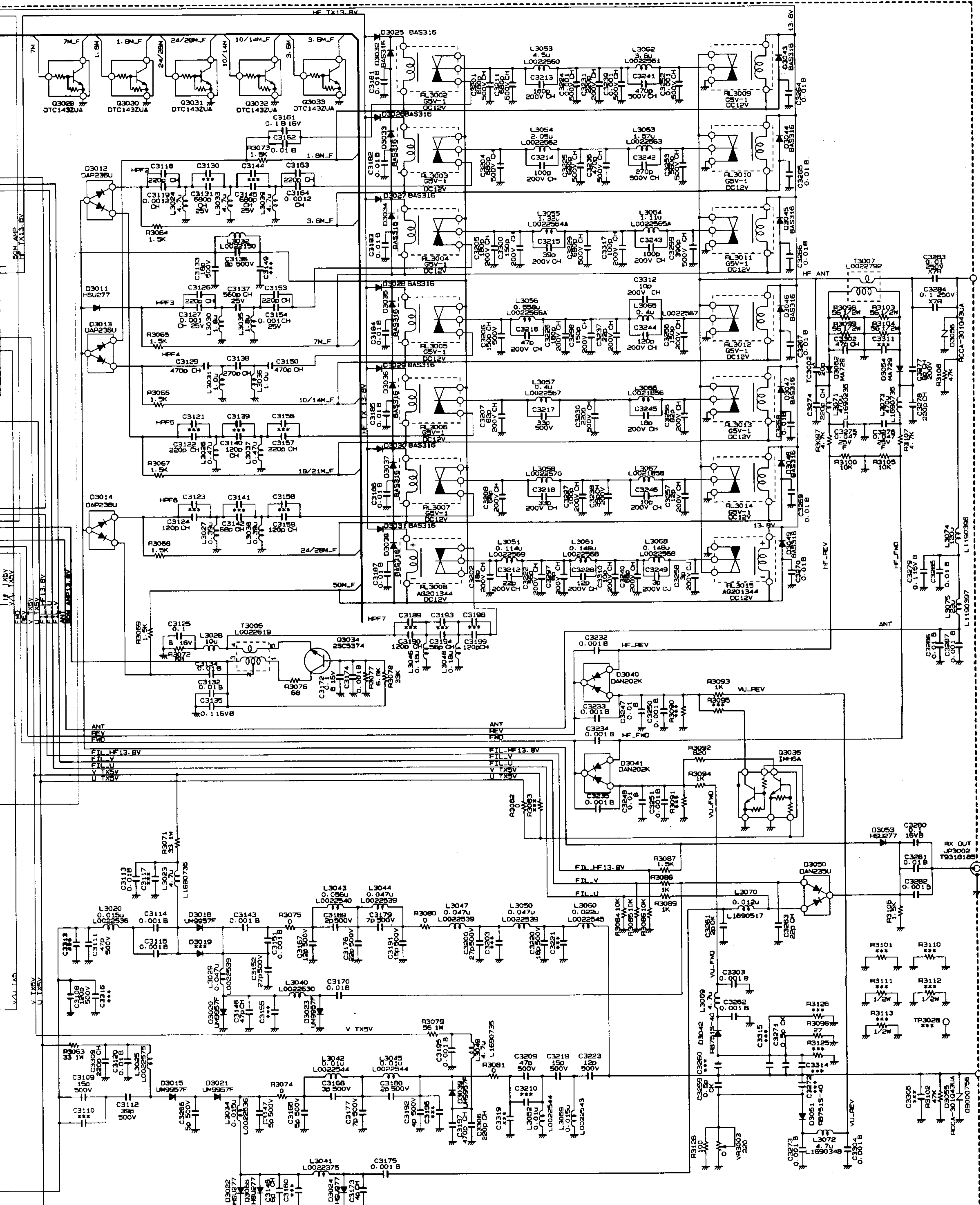




NOTE:
 CAPACITOR VALUES ARE IN μ F, 1/16W;
 CAPACITOR VALUES ARE IN μ F, 50V;
 (T) CAPACITOR VALUES ARE TANTALUM;
 ELECTROLYTIC CAPACITORS ARE IN μ F, 16V;
 INDUCTOR VALUES ARE IN H;
 COILS VALUES ARE IN H;
 UNLESS OTHERWISE NOTED.

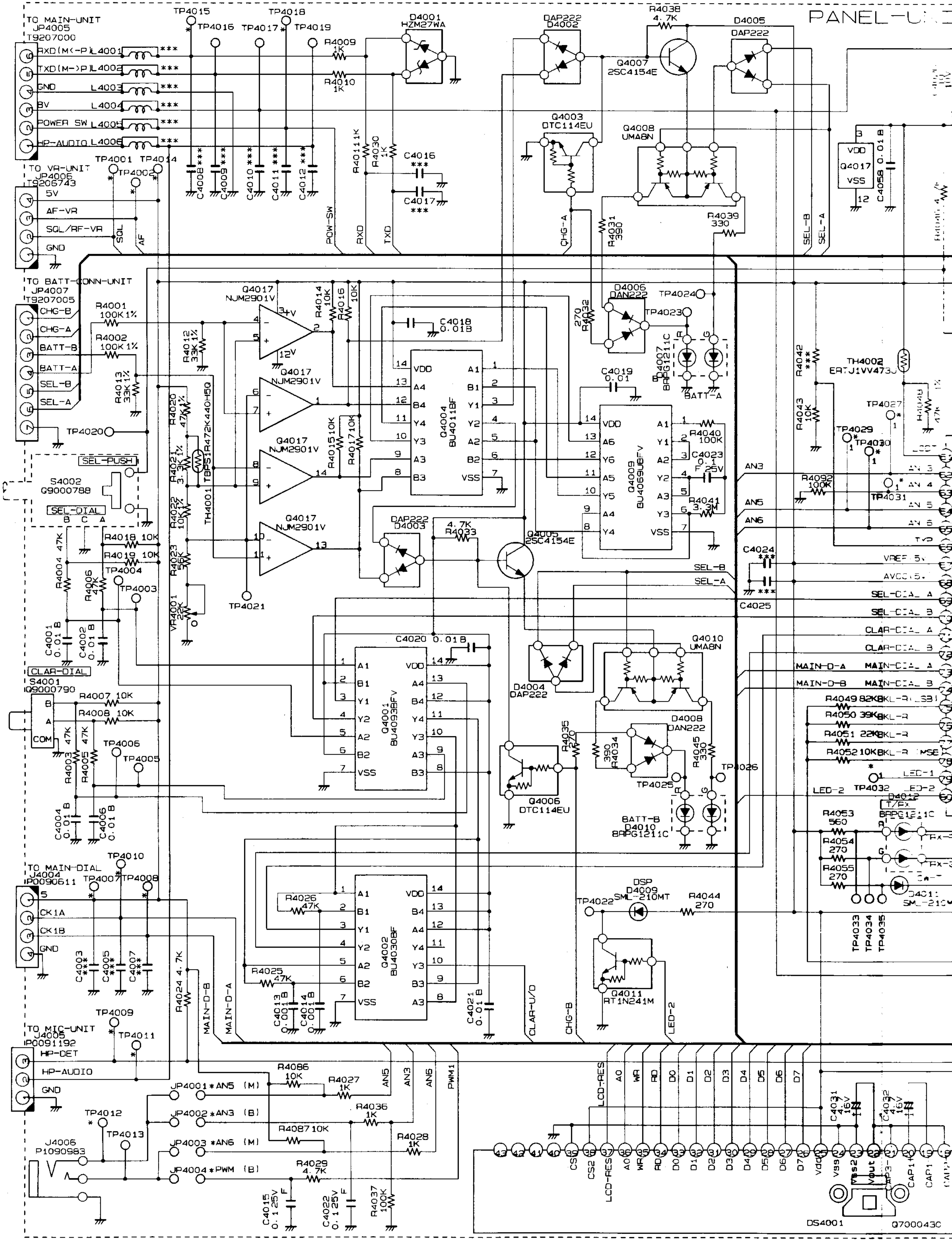




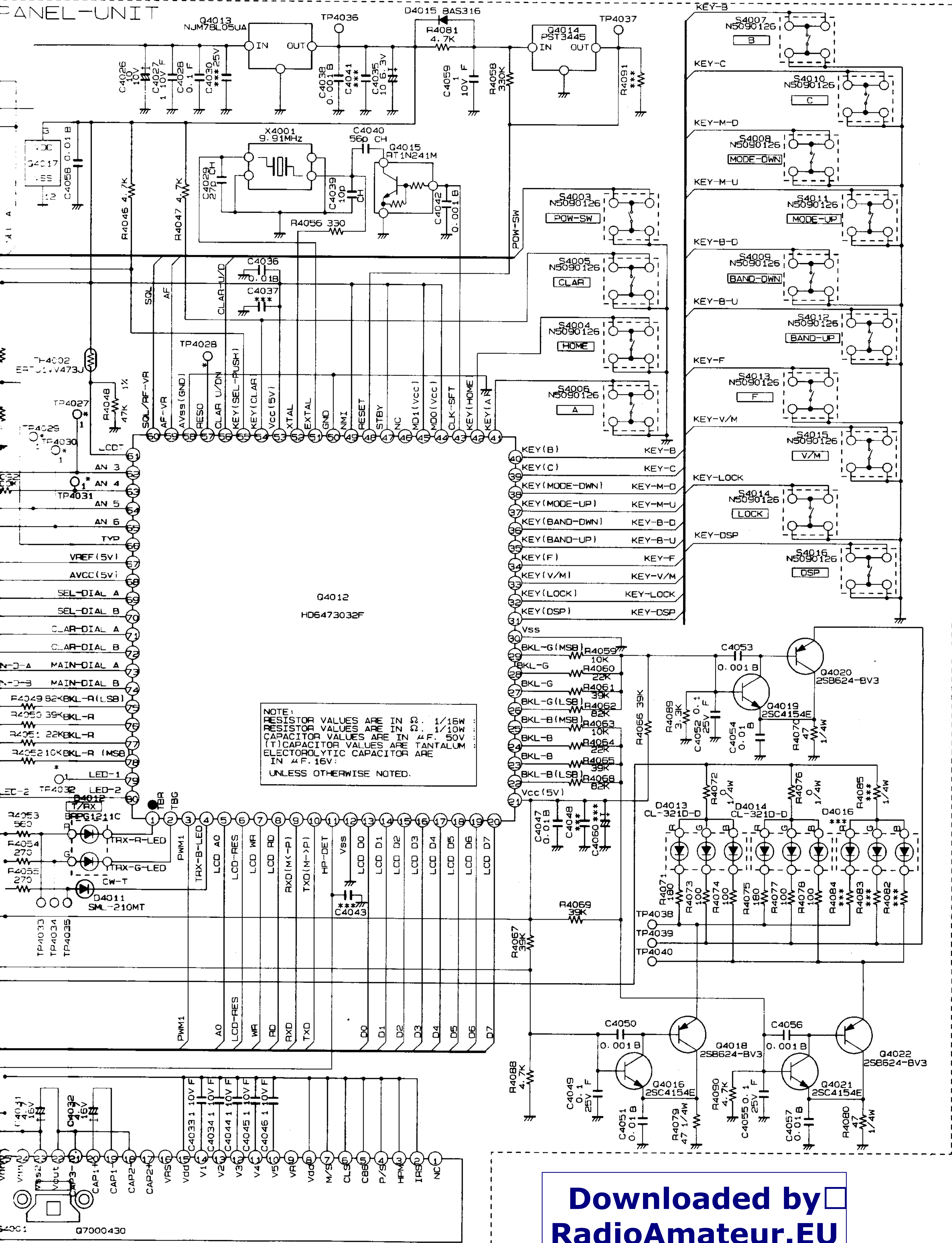


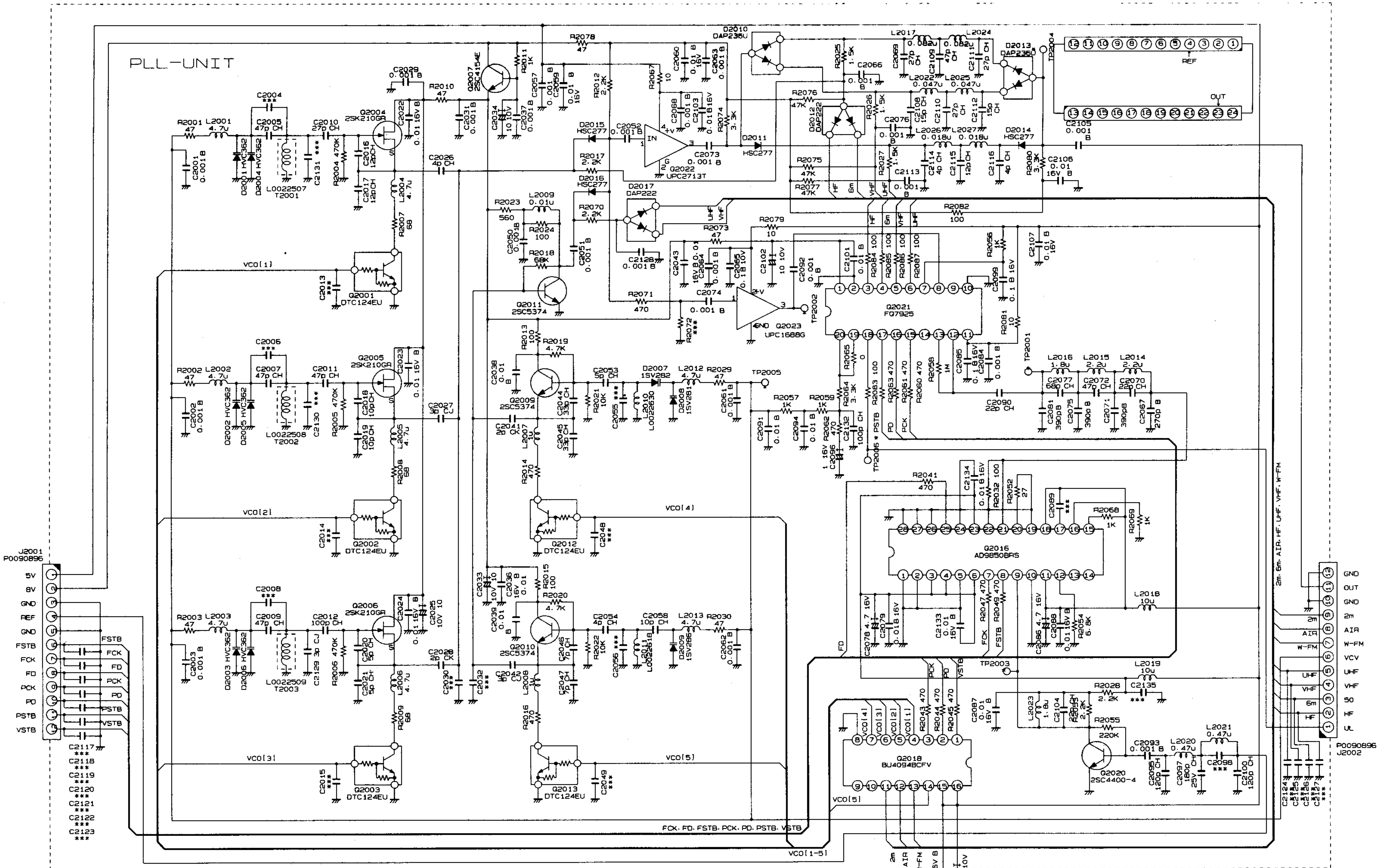
NOTE:
 RESISTOR VALUES ARE IN Ω, 1/16W;
 CAPACITOR VALUES ARE IN pF, 50V;
 (T) CAPACITOR VALUES ARE TANTALUM;
 ELECTROLYTIC CAPACITORS ARE IN μF, 15V;
 INDUCTOR VALUES ARE IN μH;
 COIL VALUES ARE IN H;
 UNLESS OTHERWISE NOTED.

PANEL-UNIT

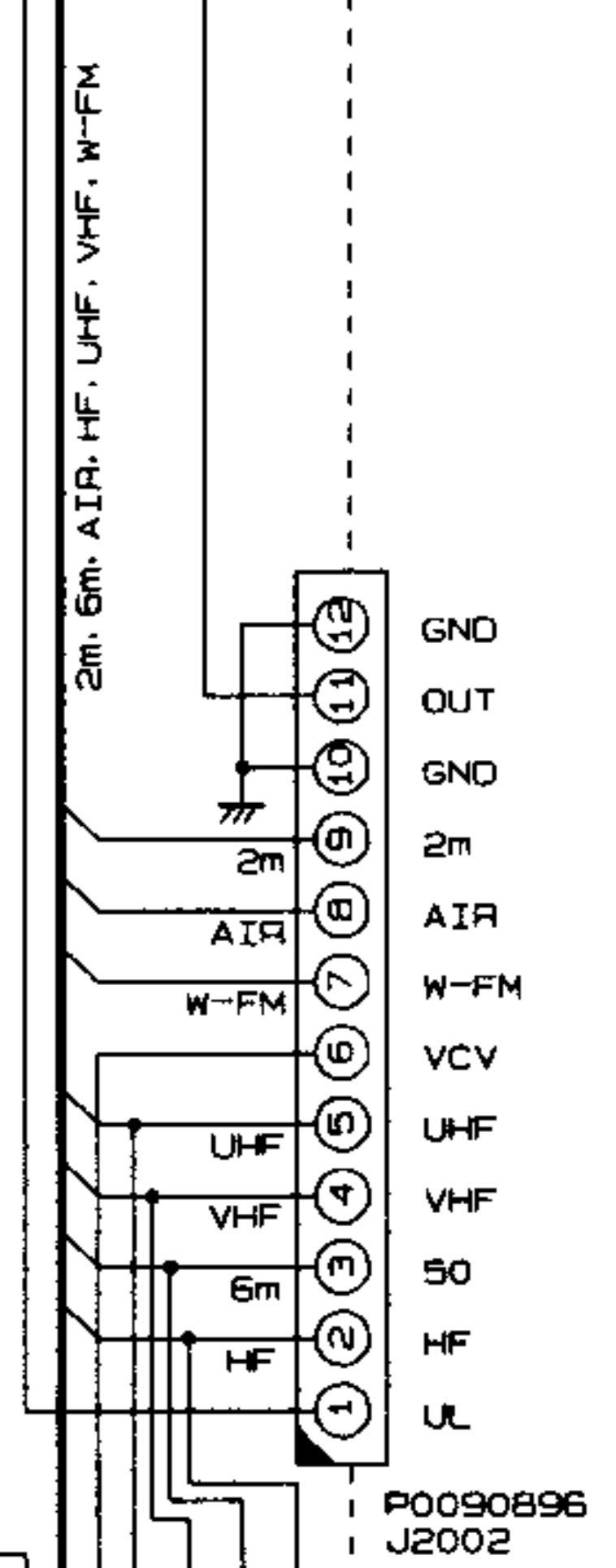


PANEL-UNIT





NOTE:
 RESISTOR VALUES ARE IN Ω, 1/16W;
 CAPACITOR VALUES ARE IN nF, 50V;
 ELECTROLYTIC CAPACITORS ARE IN μF, 16V;
 INDUCTOR VALUES ARE IN H;
 COILS VALUES ARE IN H;
 UNLESS OTHERWISE NOTED.



2m
 AIR
 W-FM
 VCV
 UHF
 VHF
 50
 HF
 L
 F